

# New Crown Verity Built-in Gas Grills

Create the ultimate outdoor kitchen area at your hotel, restaurant, country club, or home with Crown Verity's built-in Gas Grill



## bi-30

Shown with optional RD-30 Dome



## bi-48

Shown with optional RD-48 Dome



## bi-36

Shown with optional RD-36 Dome

	BI-30" Grill	BI-36" Grill	BI-48" Grill	SB-BI Side Burner
<b>No.# of Burners</b>	4	5	6	1
<b>BTUH</b>	64,500	79,500	99,000	15,000
<b>Actual Weight (LBS)</b>	131	163	194	25
<b>Gas connections (LP) or (NG)*</b>	1	1	1	1
<b>Shipping Weight</b>	209	243	284	25
<b>Cooking Surface Dimension</b>	28" w x 21" d	34" w x 21" d	46" w x 21" d	n/a
<b>Overall Dimension</b>	33.5" w x 27" d	39.5" w x 27" d	51.5" w x 27" d	15" w x 27" d
<b>Height</b>	17.75" h	17.75" h	17.75" h	11.75" h



\*All units are available in natural gas or lp. Please specify gas type when ordering. Above units do not include the optional roll dome in the dimension - height of each unit becomes 33.75" with the roll dome on the unit.

**OPTIONAL SIDE BURNER (SB-BI)** A side burner increases flexibility, providing a convenient surface for sautéing and keeping sauces hot.

CROWN VERITY INC.

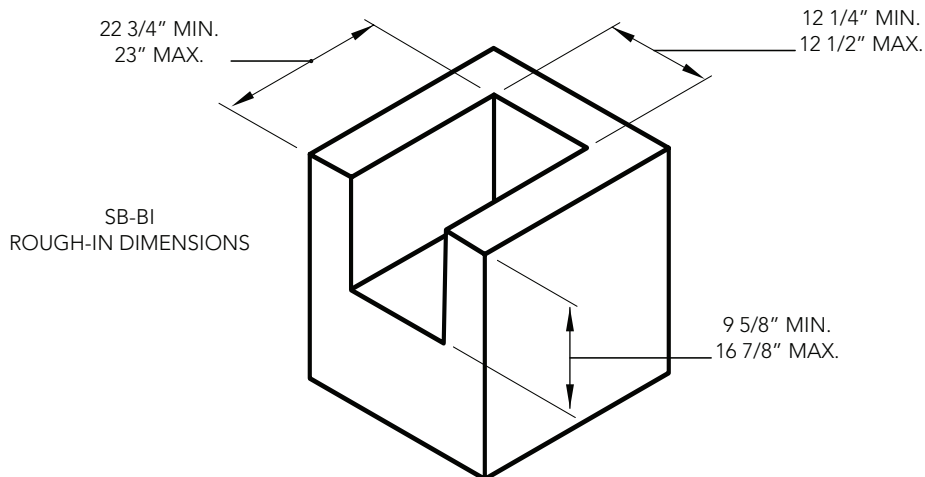
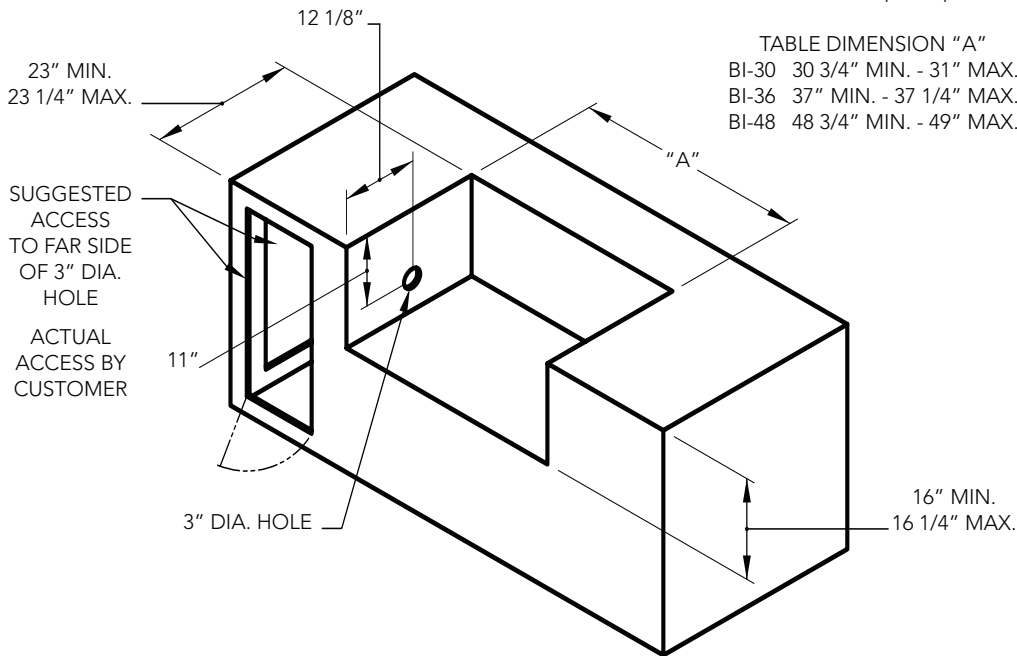


# Specification for Built-in Grills:

- Constructed of stainless steel - including cooking grids, burners, and all fasteners
- Burners are stainless steel
- Pilot safety system with pilot tube
- Stainless steel water pan with drain port
- 10 year warranty on cooking grids and burners
- 1 year warranty on complete unit
- CGA / AGA / NSF Certified or equivalent
- Ships fully assembled

CUT-OUT DIMENSIONS  
MODELS BI-30, BI-36, BI-48

TABLE DIMENSION "A"  
BI-30 30 3/4" MIN. - 31" MAX.  
BI-36 37" MIN. - 37 1/4" MAX.  
BI-48 48 3/4" MIN. - 49" MAX.



CROWN VERITY INC.



37 Adams Boulevard, Brantford, Ontario, Canada N3S 7V8

tel **519.751.1800** or 888.505.7240 fax 519.751.1802 e-mail [info@crowneverity.com](mailto:info@crowneverity.com) web [www.crowneverity.com](http://www.crowneverity.com)

PLEASE NOTE: CROWN VERITY RESERVES THE RIGHT TO IMPLEMENT DESIGN CHANGES WHERE NECESSARY. DIMENSIONS AND SPECIFICATIONS COULD VARY.